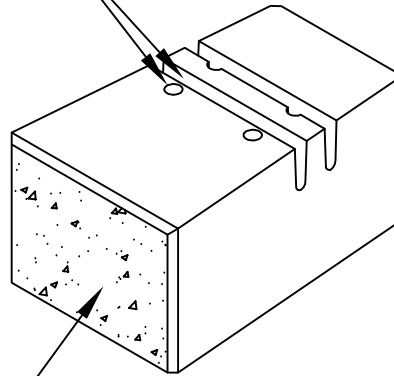
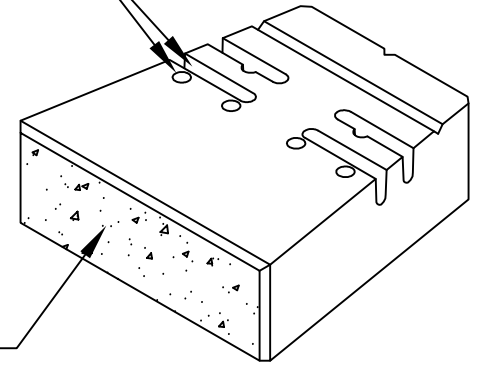


PIN HOLES AND SLOTS FOR 3/4" SETBACK WALL CONSTRUCTION



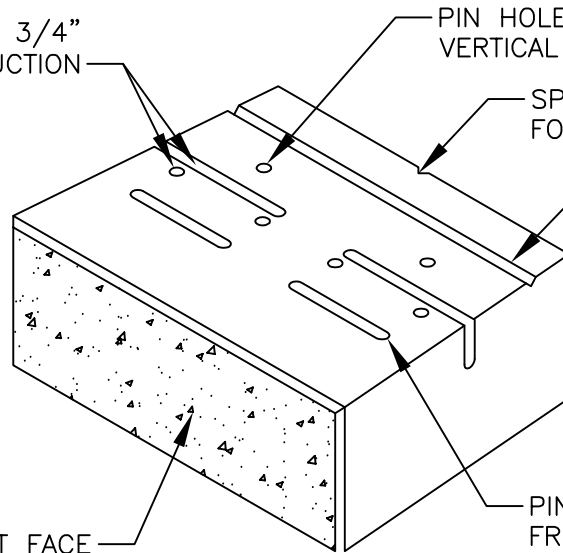
STRAIGHT SPLIT FACE

PIN HOLES AND SLOTS FOR 3/4" SETBACK WALL CONSTRUCTION



STRAIGHT SPLIT FACE

PIN HOLES AND SLOTS FOR 3/4" SETBACK WALL CONSTRUCTION



STRAIGHT SPLIT FACE

PIN HOLES FOR VERTICAL WALLS

SPLITTING GROOVE FOR HALF UNIT

SPLITTING GROOVE FOR FREESTANDING WALLS

PINNING SLOTS FOR FREESTANDING WALLS

## VERSA-LOK MOSAIC UNITS

UNIT DRAWINGS

SCALE: NONE

THESE PRELIMINARY DETAILS ARE INTENDED AS AN AID IN DESIGNING ATTRACTIVE, DURABLE RETAINING WALLS WITH VERSA-LOK UNITS. FINAL DETERMINATION OF THE SUITABILITY OF ANY INFORMATION OR MATERIAL FOR THE USE CONTEMPLATED, AND ITS MANNER OF USE, IS THE SOLE RESPONSIBILITY OF THE USER. A FINAL PROJECT SPECIFIC DESIGN SHOULD BE PREPARED BY A QUALIFIED, LICENSED, PROFESSIONAL ENGINEER.



**VERSA-LOK<sup>®</sup>**  
Retaining Wall Systems

(800)770-4525 fax(651)770-4089  
6348 Hwy36 Ste1, Oakdale, MN 55128 **Solid Solutions<sup>™</sup>**

VERSA-LOK MOSAIC DETAILS

MOSAIC UNITS

SCALE: 1 1/2"=1'

DRAWN BY: PPS

CHECKED BY:

DATE: 10/2007

DWG. NO. mosaic units